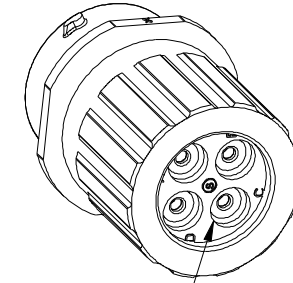
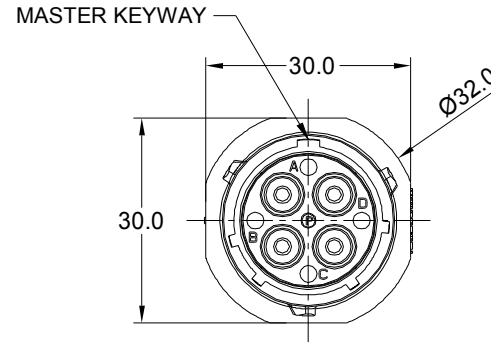
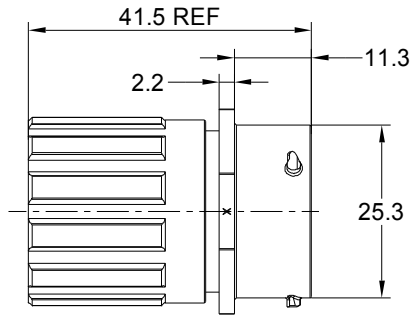


REVISIONS					
REV	ECO	DESCRIPTION	DATE	BY	APPR
A1	-	RELEASED DRAWING	Mar-24-21	Blink	Tommy
A2	-	UPDATE VOLTAGE	SEP-23-2021	BLINK	TOMMY



SEALING PLUGS CAN BE PURCHASED SEPARATELY

NOTES : (UNLESS OTHERWISE SPECIFIED)

- MATERIAL :
 - SHELL : THERMOPLASTIC , UL94 V-0.
 - INSERT : THERMOPLASTIC , UL94 V-0.
 - O-RING : NBR OR SILICONE RUBBER.
 - SEAL GASKET : NBR OR SILICONE RUBBER.
 - END CAP : THERMOPLASTIC , UL94 V-0.
 - PLASTIC RING:THERMOPLASTIC , UL94 V-0.
 - WIRE SEAL : SILICONE RUBBER.
- SPECIFICATIONS :
 - 2.1 RATED CURRENT : 45A (MAX).
 - 2.2 RATED VOLTAGE : 600V (AC/DC) .
 - 2.3 OPERATING TEMPERATURE : SEE CHART.
 - 2.4 DIELECTRIC WITHSTANDING VOLTAGE : LESS THAN 2 MILLIAMPS CURRENT LEAKAGE@2000 VOLTS AC.
 - 2.5 INSULATION RESISTANCE : 5000 MEGOHMS MIN.
 - 2.6 IP--CLASS : IP67 AND IP69K IN THE MATED CONDITION, WIRE SEALS FULLY POPULATED.
 - 2.7 MATING CYCLES DURABILITY : 500 CYCLES MIN.
 - 2.8 RoHS COMPLIANT.
- SUITABLE CONTACTS : 8# CONTACTS.
- ALL DIMENSIONS ARE FOR REFERENCE USE ONLY.
- CONTACT SIZE AND REAR SEAL WIRE RANGE :

CONTACT SIZE	MIN. INSULATION O.D.	MAX. INSULATION O.D.	SMALL WIRE RANGE
8#	Ø2.8mm	Ø4.1mm	12AWG

KEY	PART NUMBER	
		-40°C ~ 105°C
N	RTS1BS16N4SHEC	RTS1BS16N4SHEC03

QUANTITY	PART NUMBER	DESCRIPTION	ITEM
MATERIALS LIST			
UNLESS OTHERWISE SPECIFIED 1) All dimensions are in metric(mm). 2) Tolerances are as follows: 1 PL DEC ±0.30 2 PL DEC ±0.15 3 PL DEC ±0.08 Fractions ±1/64 Angles ±1° 3) Note reference =		SIGNATURES DATE DRAWN: BLINK SEP-23-2021 CHECKED: ORION SEP-24-2021 ENGINEER: . APPROVAL: TOMMY SEP-27-2021 CUSTOMER:	 Sine Systems - www.amphenol-sine.com 44724 Morley Drive Clinton Township, MI 48036
MATERIAL SPECIFICATIONS: PROCESS SPECIFICATIONS: NEXT ASSY:		THIS DRAWING IS SUPPLIED FOR INFORMATION ONLY. DESIGN FEATURES, SPECIFICATIONS AND PERFORMANCE DATA SHOWN HEREON ARE THE PROPERTY OF THE AMPHENOL CORPORATION. NO RIGHTS OF REPRODUCTION ARE IMPLIED. ALL DIMENSIONS ARE SUBJECT TO NORMAL MANUFACTURING VARIATIONS.	EcoMate Aquarius, RECEPTACLE, IN-LINE, SIZE 16, 4 POS, SOCKET, END CAP. SIZE TYPE DWG NO. REVISION B C- RTS1BS16*4SHECxx A2 SCALE NONE SHEET 1 OF 1

TITLE: EcoMate Aquarius, RECEPTACLE, IN-LINE, SIZE 16, 4 POS, SOCKET, END CAP, DWG NO.: RTS1BS16*4SHECxx REV: A2 SH: 1 OF: 1