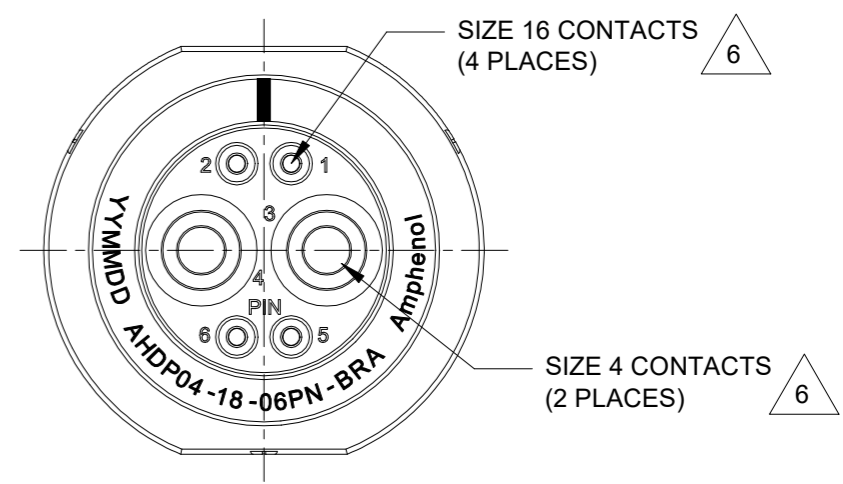
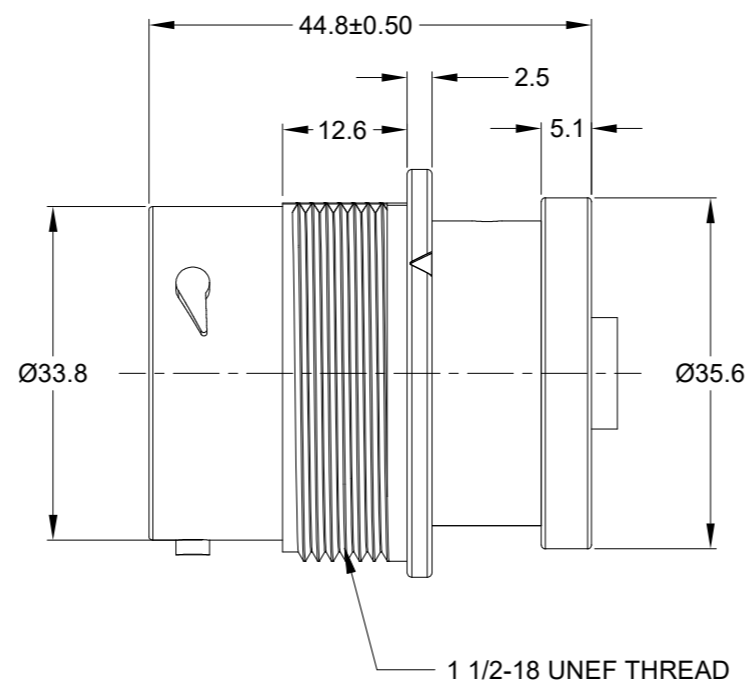
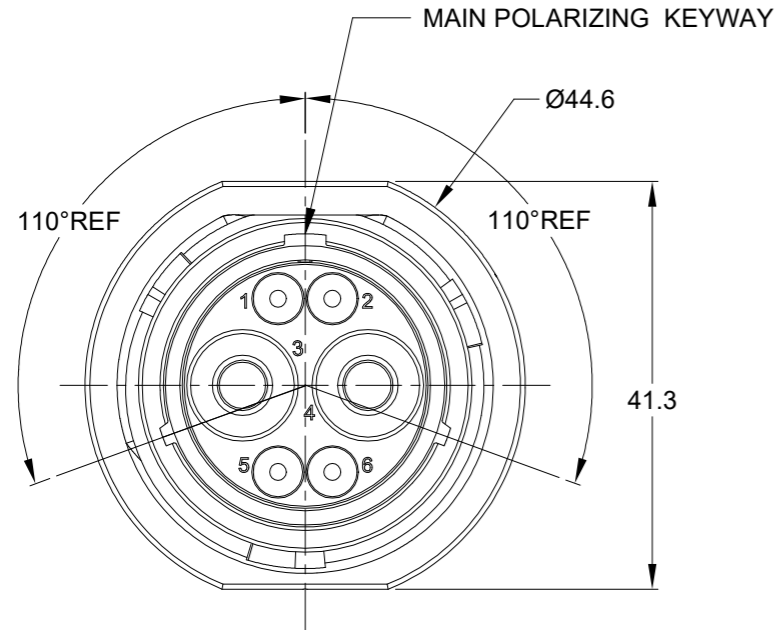


| REVISIONS | | | | | |
|-----------|-----|---------------------|-----------|------|-------|
| REV | ECO | DESCRIPTION | DATE | BY | APPR |
| A1 | - | RELEASE NEW DRAWING | 28/MAR/22 | MILO | TOMMY |

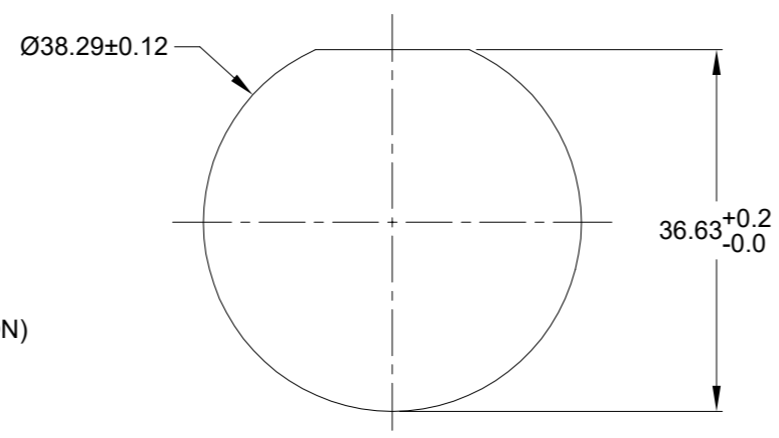


NOTES:UNLESS OTHERWISE SPECIFIED

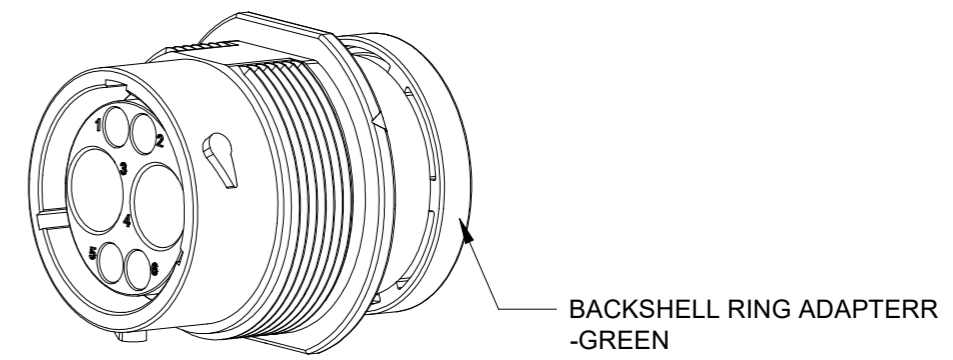
- MATERIAL:
HOUSING: THERMOPLASTIC; BLACK
SEAL: SILICONE RUBBER
- MODIFICATIONS: BACKSHELL RING ADAPTER (BRA);
STANDARD DIA. WIRE SEAL
- SPECIFICATIONS:
3.1 OPERATING TEMPERATURE: -55°C TO +125°C.
3.2 DIELECTRIC WITHSTANDING VOLTAGE: LESS THAN 2
MILLIAMPS CURRENT LEAKAGE @ 1500 VOLTS AC.
3.3 INSULATION RESISTANCE: 1000 MEGOHM MIN @ 25°C.
3.4 MOISTURE RESISTANCE:
IP68(IM OF WATER FOR A PERIOD OF 24 HOURS, MATED
CONDITION);
IP69K(MATED CONDITION)
3.5 MATING CYCLE DURABILITY: 100 CYCLES
3.6 RoHS COMPLIANT
- MATING PART: AHDP06-18-06S* (* = SEAL TYPE) (NOT C030 OPTION)
- ALL DIMENSIONS ARE FOR REFERENCE USE ONLY.

△ CONTACT SIZE AND WIRE RANGE:

| CONTACT SIZE | MIN. INSUL O.D. | MAX. INSUL O.D. | TYPICAL WIRE RANGE | CURRENT RATING |
|--------------|------------------|-------------------|-------------------------------------|----------------|
| 16 | 2.54 mm (.100in) | 3.40 mm (.134 in) | 14-20 AWG (2.0-0.5mm ²) | 13 AMPS |
| 4 | 6.63 mm (.261in) | 7.42mm (.292 in) | 6 AWG (16.0-13.0mm ²) | 100 AMPS |



RECOMMENDED PANEL MOUNTING HOLE
RECOMMENDED PANEL THICKNESS:1.6 TO 4.7MM



| QUANTITY | AHDP04-18-06PN-BRA | DESCRIPTION | ITEM |
|----------|--------------------|-----------------------|------|
| | | REF:HDP24-18-6PN-L017 | |

| MATERIALS LIST | | | |
|--|--|---|--|
| UNLESS OTHERWISE SPECIFIED 1) All dimensions are in metric(mm). 2) Tolerances are as follows: 1 PL DEC ±0.30 Fractions ±1/64 2 PL DEC ±0.15 Angles ±1° 3 PL DEC ±0.08 | | SIGNATURES DATE DRAWN: MILO 28/MAR/22 CHECKED: SULLEN 29/MAR/22 ENGINEER: APPROVAL: TOMMY 30/MAR/22 | |
| MATERIAL SPECIFICATIONS: WEIGHT: 40.6g | | CUSTOMER: THIS DRAWING IS SUPPLIED FOR INFORMATION ONLY. DESIGN FEATURES, SPECIFICATIONS AND PERFORMANCE DATA SHOWN HEREON ARE THE PROPERTY OF THE AMPHENOL CORPORATION. NO RIGHTS OF REPRODUCTION ARE IMPLIED. ALL DIMENSIONS ARE SUBJECT TO NORMAL MANUFACTURING VARIATIONS. | |
| PROCESS SPECIFICATIONS: | | SIZE TYPE DWG NO. REVISION B C- AHDP04-18-06PN-BRA A1 | |
| NEXT ASSY: | | SCALE: NONE DURAMATE SHEET 1 OF 1 | |

TITLE: 6POS RECEPTACLE, PIN, SIZE 18, NORMAL SEAL, BRA, DURAMATE AHDP
DWG NO: AHDP04-18-06PN-BRA
REV: A1
SH: 1
OF: 1