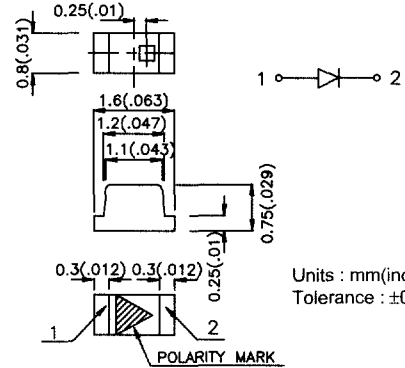


Part No.	Emitting Color + Material	λ D (nm)	Lens Type	Iv (mcd) @20mA		Viewing Angle	Dimension
				Min.	Typ.		

KPT-1608EC	GaAsP/GaP	625	water clear	5	12	120°
KPT-1608NW	GaAsP/GaP	610	white diffused	5	12	120°
KPT-1608SGC	GaP	568	water clear	3	10	120°
KPT-1608SGW	GaP	568	white diffused	3	12	120°
KPT-1608QGW	GaP	565	white diffused	3	12	120°
KPT-1608PGW	GaP	555	white diffused	2	5	120°
KPT-1608YC	GaAsP/GaP	588	water clear	3	8	120°
KPT-1608PYW	GaAsP/GaP	585	white diffused	3	8	120°
KPT-1608SRC-PRV	GaAlAs	640	water clear	40	100	120°
KPT-1608SURC	InGaAlP	628	water clear	70	150	120°
KPT-1608SURCK	InGaAlP	630	water clear	50	100	120°
KPT-1608SEC	InGaAlP	601	water clear	80	200	120°
KPT-1608SECK	InGaAlP	601	water clear	50	160	120°
KPT-1608SEW-E	InGaAlP	621	white diffused	60	200	120°
KPT-1608SYC	InGaAlP	588	water clear	40	80	120°
KPT-1608SYCK	InGaAlP	590	water clear	30	60	120°
KPT-1608MBC	GaN	455	water clear	2	8	120°
KPT-1608MBCK	GaN	455	water clear	2.6	6	120°
KPT-1608PBC	InGaN	465	water clear	10	30	120°

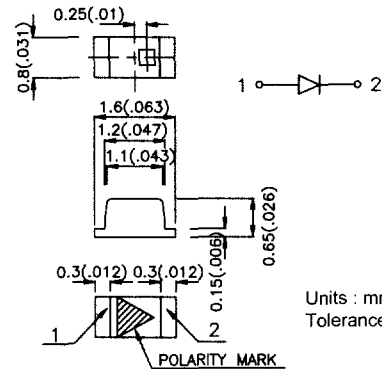
1.6mm x 0.8mm x 0.75mm (0603 Super Thin)



Units : mm(inch)
Tolerance : ±0.1(0.004)

KPH-1608EC	GaAsP/GaP	625	water clear	5	12	120°
KPH-1608SGC	GaP	568	water clear	3	10	120°
KPH-1608SGW	GaP	568	white diffused	3	12	120°
KPH-1608YC	GaAsP/GaP	588	water clear	3	8	120°
KPH-1608SRC-PRV	GaAlAs	640	water clear	40	100	120°
KPH-1608SURC	InGaAlP	628	water clear	70	150	120°
KPH-1608SURCK	InGaAlP	630	water clear	50	100	120°
KPH-1608SEC	InGaAlP	601	water clear	80	200	120°
KPH-1608SECK	InGaAlP	601	water clear	50	160	120°
KPH-1608MGC	InGaAlP	568	water clear	20	50	120°
KPH-1608SYC	InGaAlP	588	water clear	40	80	120°
KPH-1608SYCK	InGaAlP	590	water clear	30	60	120°
KPH-1608MBC	GaN	455	water clear	2	8	120°
KPH-1608MBCK	GaN	455	water clear	2.6	6	120°
KPH-1608PBC	InGaN	465	water clear	10	30	120°

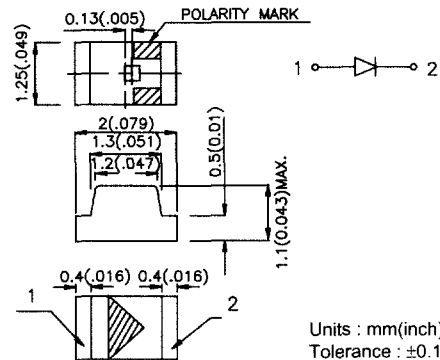
1.6mm x 0.8mm x 0.65mm (0603 Ultra Thin)



Units : mm(inch)
Tolerance : ±0.1(0.004)

KP-2012EC	GaAsP/GaP	625	water clear	5	12	120°
KP-2012SGC	GaP	568	water clear	3	12	120°
KP-2012YC	GaAsP/GaP	588	water clear	2	8	120°
KP-2012SRC-PRV	GaAlAs	640	water clear	20	80	120°
KP-2012SURC	InGaAlP	628	water clear	70	150	120°
KP-2012SURCK	InGaAlP	630	water clear	50	100	120°
KP-2012SEC	InGaAlP	601	water clear	40	200	120°
KP-2012SECK	InGaAlP	601	water clear	40	160	120°
KP-2012MGC	InGaAlP	568	water clear	20	50	120°
KP-2012SYC	InGaAlP	588	water clear	40	80	120°
KP-2012SYCK	InGaAlP	590	water clear	30	50	120°
KP-2012MBC	GaN	455	water clear	2	8	120°
KP-2012MBCK	GaN	455	water clear	2.6	6	120°
KP-2012VGC	InGaN	520	water clear	50	100	120°
KP-2012PBC	InGaN	465	water clear	20	45	120°

2.0mm x 1.2mm x 1.1mm (0805)



Units : mm(inch)
Tolerance : ±0.1(0.004)