

Han EMC 64 Hood Top Entry Central Lever

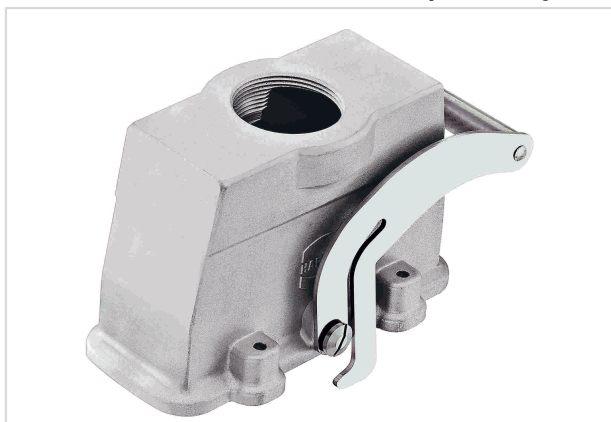


Image is for illustration purposes only. Please refer to product description.

Part number	09 62 064 0481
Specification	Han EMC 64 Hood Top Entry Central Lever
HARTING eCatalogue	https://b2b.harting.com/09620640481

Identification

Category	Hoods/Housings
Series of hoods/housings	Han [®] EMC
Type of hood/housing	Hood

Version

Size	24 B
Version	Top entry
Cable entry	1x Pg 29
Locking type	Central locking lever (on the hood)
Field of application	Hoods/Housings for higher EMC requirements

Technical characteristics

Limiting temperature	-40 ... +125 °C
Degree of protection acc. to IEC 60529	IP65
Type rating acc. to UL 50 / UL 50E	4 12

Material properties

Material (hood/housing)	Aluminium die-cast
Surface (hood/housing)	Uncoated
Colour (hood/housing)	Unpainted
Material (locking)	Stainless steel
RoHS	compliant



Pushing Performance

Material properties

ELV status	compliant
China RoHS	e
REACH Annex XVII substances	No
REACH ANNEX XIV substances	No
REACH SVHC substances	No
California Proposition 65 substances	Yes
California Proposition 65 substances	Nickel

Specifications and approvals

Approvals	DNV GL
UL / CSA	UL 1977 ECBT2.E235076 CSA-C22.2 No. 182.3 ECBT8.E235076
CE	Yes

Commercial data

Packaging size	1
Net weight	532 g
Country of origin	Germany
European customs tariff number	85389099
eCl@ss	27440202 Shell for industrial connectors