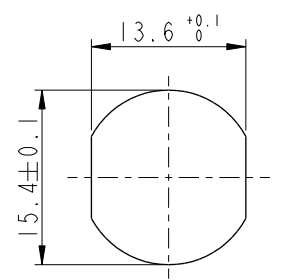


THIS DOCUMENT IS SUBJECT TO CHANGE WITHOUT NOTICE. IT IS CONFIDENTIAL AND A PROPERTY OF Amphenol LTW. DISCLOSURE TO THIRD PARTY HAS TO BE AUTHORIZED BY Amphenol LTW.

| REV. | ECN NO. | DATE       | SIGN      | DESCRIPTION      |
|------|---------|------------|-----------|------------------|
| F    | C210023 | 2021/01/14 | Vicky     | $\triangle F$ X2 |
| G    | C210309 | 2021/02/24 | Ruru      | $\triangle G$ X3 |
| H    | C211340 | 2021/08/18 | Allen Pan | $\triangle H$ X2 |



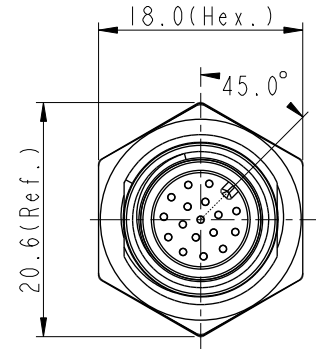
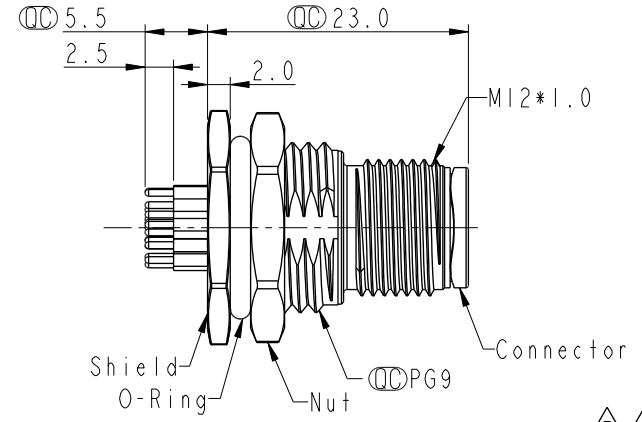
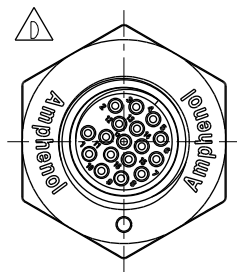
Recommended Panel Cut-Out

$\triangle B$

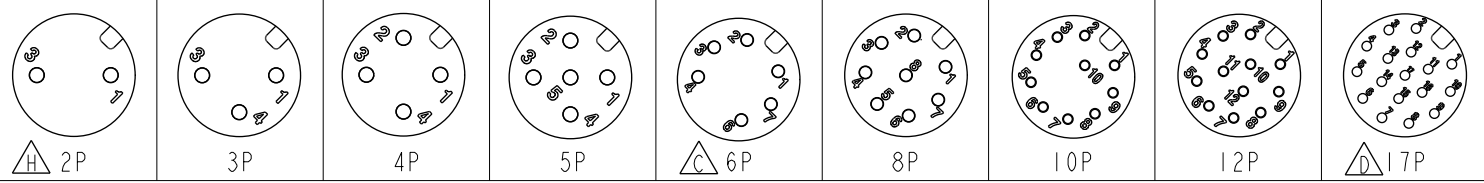
$\triangle E$

M12A-XXPMMP-SF8001

XX: No. Of Pin



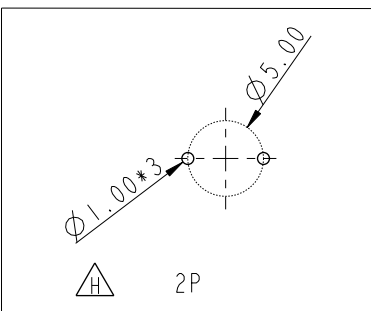
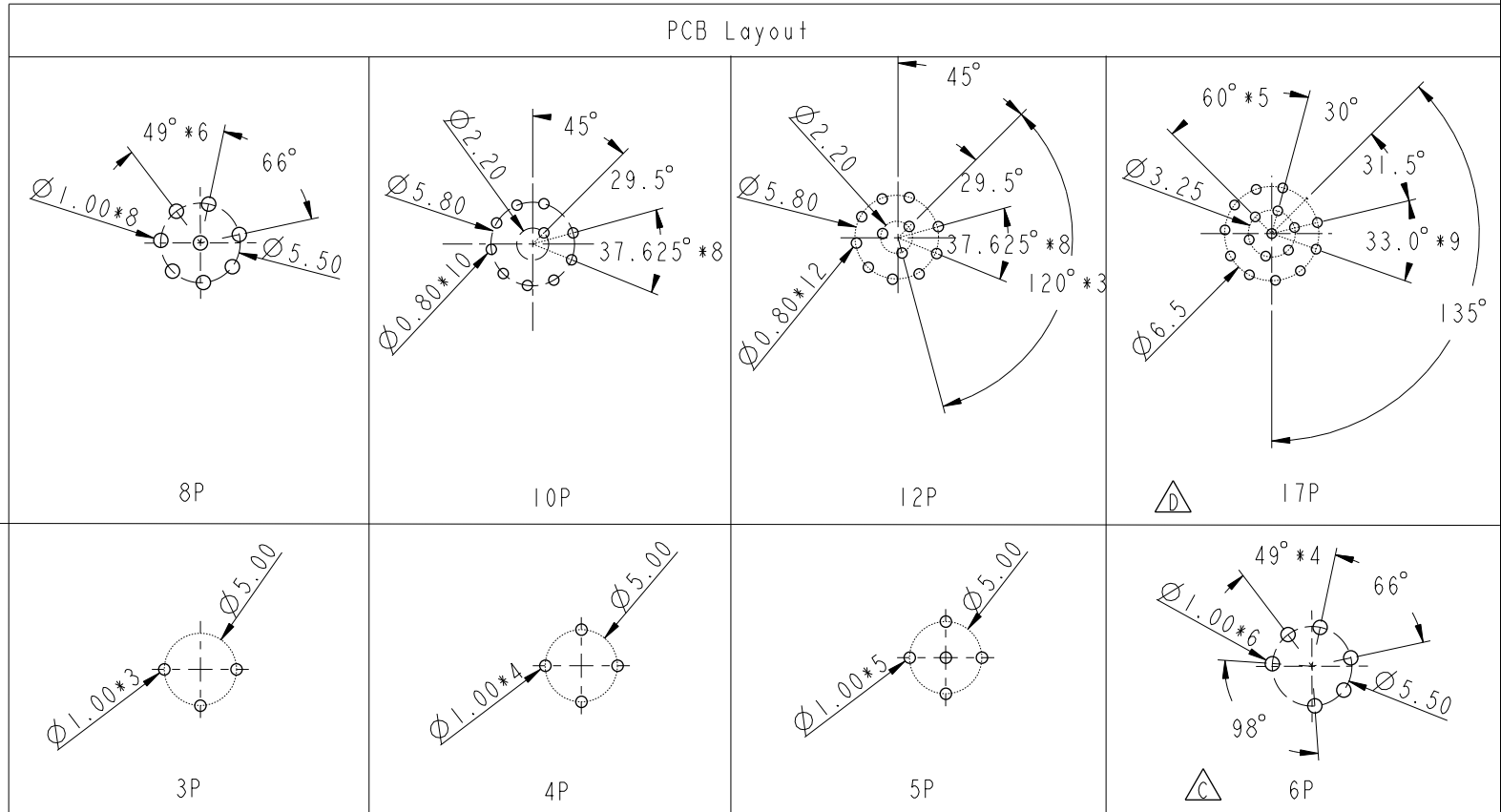
- $\triangle E, \triangle G$  Note:
- \* RoHS Compliant
  - \*  $\text{CC}$  Important dimension
  - $\triangle C$  \* Waterproof rate: IPX8, unmated 1m/24h  
IPX9K, unmated
  - \* Connector  
Housing: Thermoplastic, Black  
Pin: Copper alloy, Gold plated
  - $\triangle F$  \* Shield: Metal
  - $\triangle F$  \* Nut: Metal
  - \* O-Ring: Rubber, Black
  - \* For panel thickness max: 4.5mm
  - \* Nut is packed separately in pe bag



Pin Assignment Front View

|              |   |  |                |                               |                                      |                      |  |                         |                    |
|--------------|---|--|----------------|-------------------------------|--------------------------------------|----------------------|--|-------------------------|--------------------|
| UNIT: mm<br> | TOLERANCE<br>.X ±0.25<br>.XX ±0.1<br>.XXX ±0.05<br>ANGLES ±1° | TITLE<br>N SEN, M12 A, SCREW RECEPTACLE, M, M, PCB S $\triangle G$ |                |                               | <b>Amphenol LTW</b><br>安費諾亮泰企業股份有限公司 |                      | ITEM NO<br>M12A-XXPMMP-SF8001              | DRAWN BY<br>Yulong_wang | DATE<br>2016-08-08 |
|              |   | SCALE<br>2:1   | SIZE<br>A4     | SHEET<br>1 OF 2               |                                      |                      | DWG NO<br>$\triangle E$ M12A-XXPMMP-SF8001 | CHECKED BY<br>Jinhai    | DATE<br>2016-08-08 |
|              |   | REV.<br>H  | WC-REV.<br>A.5 | $\text{CC}$ : Inspection item | CUSTOMER<br>ALTW                     | APPROVED BY<br>Jerry | DATE<br>2016-08-08                         |                         |                    |

PCB Layout



|           |      |       |
|-----------|------|-------|
| UNIT: mm  |      |       |
| TOLERANCE | .X   | ±0.25 |
|           | .XX  | ±0.1  |
|           | .XXX | ±0.05 |
| ANGLES    |      | ±1°   |

|  |         |                 |
|--|---------|-----------------|
| TITLE<br>N SEN, M12 A, SCREW RECEPTACLE, M, M, PCB S |         |                 |
| SCALE  | SIZE    | SHEET           |
| 2:1  | A4      | 2 OF 2          |
| REV.   | WC-REV. |                 |
| H  | A.4     | Inspection item |

**Amphenol LTW**  
安費諾亮泰企業股份有限公司

|          |                    |
|----------|--------------------|
| ITEM NO  | DWG NO             |
|          | M12A-XXPMMP-SF8001 |
| CUSTOMER |                    |
| ALTW     |                    |

|             |            |
|-------------|------------|
| DRAWN BY    | CHECKED BY |
| Yulong_wang | Jinhai     |
| APPROVED BY |            |
| Jerry       |            |

|            |            |
|------------|------------|
| DATE       | DATE       |
| 2016-08-08 | 2016-08-08 |
| DATE       | DATE       |
| 2016-08-08 | 2016-08-08 |